

HCZ-6321

2MP 32x AHD Zoom Camera



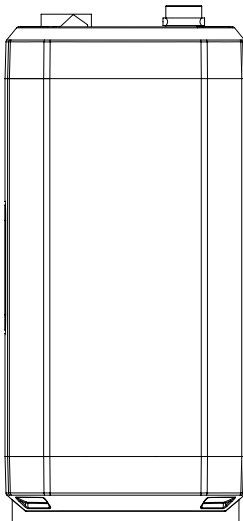
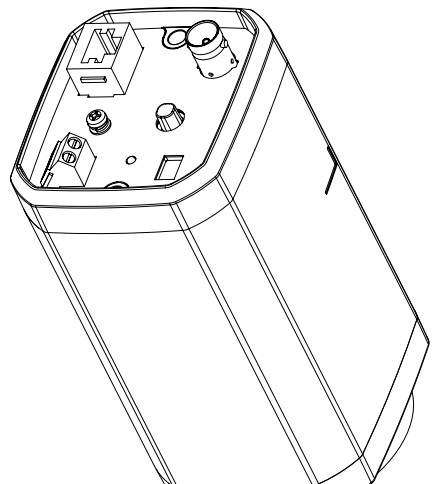
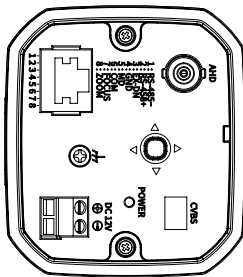
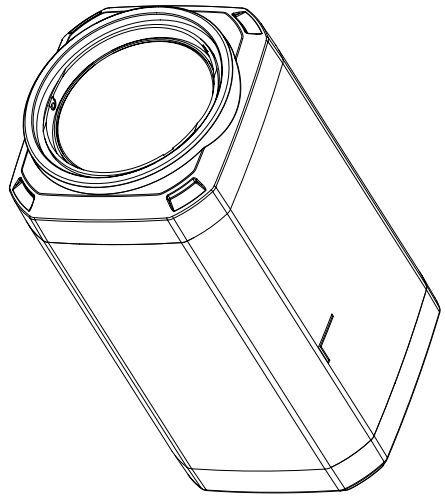
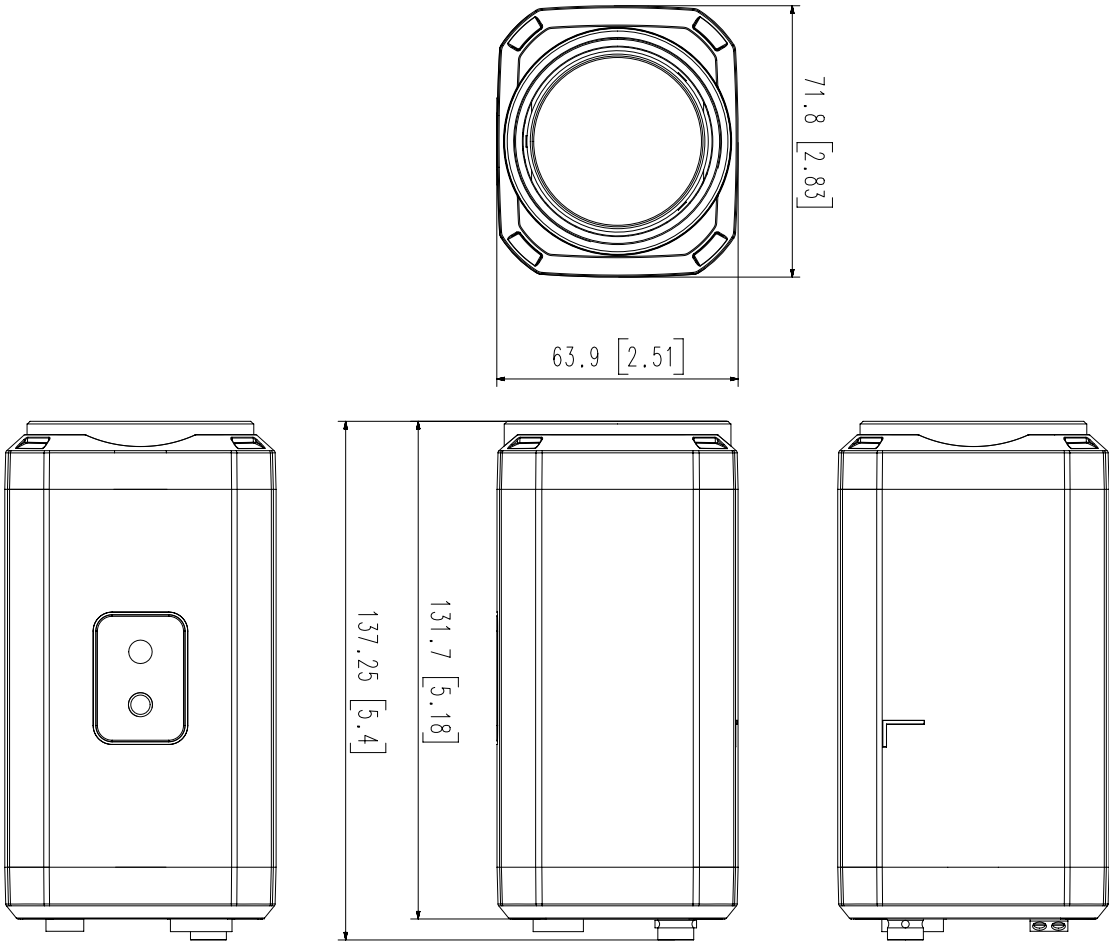
Key Features

- 2MP AHD resolution
- Minimum Illumination 0.2 Lux@F1.6 (Color), 0.01 Lux@F1.6 (B/W)
- 4.44 ~ 142.6mm (32x) optical zoom, 16x digital zoom
- Digital PTZ
- Day & Night (Auto ICR), WDR (120dB)
- Motion Detection, Tracking, Fixed/Moved, Tampering, SmartZoom analytics support
- Privacy zones, defog, presets, 12v DC support

Video	
Imaging Device	1/2.8" CMOS
Resolution	1080p
Maximum Framerate	30fps/25fps(60Hz/50Hz)
Minimum Illumination	Color: 0.2 Lux (1/30sec, F1.6) B/W: 0.01 Lux (1/30sec, F1.6)
Video Out	AHD: 1080p, BNC CVBS: SD, DIP connector type
Video Transmission Distance	500m(5C2V Coaxial Cable)
Lens	
Focal Length (Zoom Ratio)	4.44~142.6mm(32x) zoom
Max. Aperture Ratio	F1.6(Wide)~F4.4(Tele)
Angular Field of View	H: 62.8°(Wide)~2.23°(Tele) / V: 36.80°(Wide)~1.26°(Tele)
Min. Object Distance	1.5m(4.92ft)
Focus Control	Auto, Manual, Oneshot AF
Lens Type	DC auto iris
Operational	
Camera Title	Displayed up to 15 characters
Day & Night	Auto(ICR)
Backlight Compensation	BLC, HLC, WDR, SSSDR
Wide Dynamic Range	120dB
Digital Noise Reduction	SSNRIII
Digital Image Stabilization	Support
Defog	Support
Motion Detection	4ea, rectangular zones
Privacy Masking	12ea, rectangular zones
Gain Control	Low / Middle / High
White Balance	ATW / AWC / Manual / Indoor / Outdoor
Electronic Shutter Speed	Minimum / Maximum / Anti flicker (2 ~ 1/33,000sec)
Digital PTZ	Support
Video Rotation	H-REV/V-REV
Analytics	Motion detection
Serial Interface	RS-485: Samsung-T/E, Pelco-D/P, Panasonic, Bosch, AD, Vicon, Honeywell
Alarm I/O	Output 1ea
Coaxial Protocol	ACP(AHD Coax Protocol)
Environmental & Electrical	
Operating Temperature / Humidity	-10°C ~ +55°C (+14°F ~ +131°F) / Less than 90% RH
Storage Temperature / Humidity	-10°C ~ +60°C (-22°F ~ +140°F) / Less than 90% RH
Input Voltage	12V DC
Power Consumption	Maximum 6W
Mechanical	

Color / Material	Black / Metal
Product dimensions / weight	72(W)x63.9(H)x137.25(D)mm(2.83x2.52x5.40"), 451g(0.99 lb)
DORI (EN62676-4 standard)	
Detect (25PPM/ 8PPF)	Wide: 62.9m(206.4ft) / Tele: 1973m(6473.05ft)
Observe (63PPM/ 19PPF)	Wide: 25.2m(82.56ft) / Tele: 789.2m(2589.22ft)
Recognize (125PPM/ 38PPF)	Wide: 12.6m(41.28ft) / Tele: 394.6m(1294.61ft)
Identify (250PPM/ 76PPF)	Wide: 6.3m(20.64ft) / Tele: 197.3m(647.31ft)

- The latest product information / specification can be found at hanwhasecurity.com
- Design and specifications are subject to change without notice.
- Wisenet is the proprietary brand of Hanwha Techwin , formerly known as Samsung Techwin.



3	파생 MODEL2	
2	파생 MODEL1	
1	HQZ-6321	'19.12.19
No.	MODEL NAME	DATE
Unit : mm [inch]		SCALE : 1/1