



Network

PTZ

XNP-6320HS

2M H.265 Stainless 32x PTZ Camera



Key Features

- Max. 2Megapixel (1920 x 1080) resolution
- 4.44 ~ 142.6 (32x) optical zoom, 32x digital zoom
- H.265, H.264, MJPEG codec support, Multiple streaming
- WiseStreamII, Day & Night (ICR), WDR(150dB)
- Loitering, Directional detection, Fog detection
- Audio detection, Digital auto tracking
- Face detection, Tampering, Sound classification
- Motion detection, SD memory slot (Max. 512GB), 24V AC,PoE
- IP67, IP66, NEMA4X, IK10, Material : SUS316L

Compatible Accessories (Optional)



SBP-300WMS



SBP-300WMS1



SBP-300KMS



SBP-300PMS



XNP-6320HS

2M H.265 Stainless 32x PTZ Camera

Specifications

Video

| | |
|--------------------------|---|
| Imaging Device | 1/2.8" 2MP CMOS |
| Resolution | 1920x1080, 1280x1024, 1280x960, 1280x720, 1024x768, 800x600, 800x448, 720x576, 720x480, 640x480, 640x360, 320x240 |
| Max. Framerate | H.265/H.264: Max. 60fps/50fps(60Hz/50Hz) MJPEG: Max. 30fps/25fps(60Hz/50Hz) |
| Min. Illumination | Color: 0.05Lux(F1.6, 1/30sec) B/W: 0.005 Lux(F1.6, 1/30sec) |
| Video Out | CVBS: 1.0 Vp-p / 75Ω composite, 720x480(N), 720x576(P) for installation USB: Micro USB Type B, 1280x720 for installation |

Lens

| | |
|----------------------------------|---|
| Focal Length (Zoom Ratio) | 4.44~142.6mm(32x) zoom |
| Max. Aperture Ratio | F1.6(Wide)~F4.4(Tele) |
| Angular Field of View | H: 61.8°(Wide)~2.19°(Tele) / V: 36.2°(Wide)~1.24°(Tele) |
| Min. Object Distance | Wide: 1.5m(4.92ft) / Tele: 2.0m(6.56ft) |
| Focus Control | Oneshot AF |
| Lens Type | DC auto iris |

Pan / Tilt / Rotate

| | |
|------------------------|--|
| Pan Range | 360° Endless |
| Pan Speed | Preset: 700°/sec, Manual: 0.024°/sec~200°/sec |
| Tilt Range | 210°(-15°~195°) |
| Tilt Speed | Preset: 700°/sec, Manual: 0.024°/sec~200°/sec |
| Sequence | Preset(300ea), Swing, Group(6ea), Trace, Tour(1ea), Auto Run, Schedule |
| Preset Accuracy | ±0.2° |

Operational

| | |
|------------------------------------|---|
| Camera Title | Displayed up to 85 characters |
| Day & Night | Auto(ICR) |
| Backlight Compensation | BLC, HLC, WDR, SSSDR |
| Wide Dynamic Range | 150dB |
| Digital Noise Reduction | SSNR V |
| Digital Image Stabilization | Support(built-in gyro sensor) |
| Defog | Support |
| Motion Detection | 8ea, 8point polygonal zones |
| Privacy Masking | 24ea, polygonal zones - Color: Grey/Green/Red/Blue/Black/White - Mosaic |
| Gain Control | Low / Middle / High |
| White Balance | ATW / AWC / Manual / Indoor / Outdoor |
| Electronic Shutter Speed | Minimum / Maximum / Anti flicker (2~1/12,000sec) |
| Video Rotation | Flip, Mirror |
| Analytics | Defocus detection, Directional detection, Fog detection, Face detection, Motion detection, Appear/Disappear, Enter/Exit, Loitering, Tampering, Virtual line, Audio detection, Sound classification, Shock detection |
| Serial Interface | RS-485(Samsung-T, Pelco-D/P, Panasonic, Bosch, AD, GE, Vicon, Honeywell) |

| | |
|-----------------------|--|
| Alarm I/O | Input 4ea / Output 2ea |
| Alarm Triggers | Analytics, Network disconnect, Alarm input |
| Alarm Events | File upload via FTP and e-mail Notification via e-mail SD/SDHC/SDXC or NAS recording at event triggers Alarm output PTZ Preset |
| Audio In | Selectable(mic in/line in) Supply voltage: 2.5VDC(4mA), Input impedance: 2K Ohm |
| Audio Out | Line out, Max.output level: 1Vrms |
| Auto Tracking | Support |

Network

| | |
|--|---|
| Ethernet | RJ-45 (10/100BASE-T) |
| Video Compression | H.265/H.264: Main/Baseline/High, MJPEG |
| Audio Compression | G.711 u-law /G.726 Selectable G.726(ADPCM) 8KHz, G.711 8KHz G.726: 16Kbps, 24Kbps, 32Kbps, 40Kbps AAC-LC: 48Kbps at 16KHz |
| Smart Codec | Manual(5ea area), WiseStream II |
| Bitrate Control | H.264/H.265: CBR or VBR MJPEG: VBR |
| Streaming | Unicast(20 users) / Multicast Multiple streaming(Up to 10 profiles) |
| Protocol | IPv4, IPv6, TCP/IP, UDP/IP, RTP(UDP), RTP(TCP), RTCP,RTSP, NTP, HTTP, HTTPS, SSL/TLS, DHCP, FTP, SMTP, ICMP, IGMP, SNMPv1/v2c/v3(MIB-2), ARP, DNS, DDNS, QoS, PIM-SM, UPnP, Bonjour, SRTP |
| Security | HTTPS(SSL) Login Authentication Digest Login Authentication IP Address Filtering User access log 802.1X Authentication(EAP-TLS, EAP-LEAP) |
| Application Programming Interface | ONVIF Profile S/G SUNAPI(HTTP API) Wisenet open platform |

General

| | |
|---------------------|---|
| Web Viewer | Supported OS: Windows 7, 8.1, 10, Mac OS X 10.10, 10.11, 10.12 Recommended Browser: Google Chrome Supported Browser: MS Explore11, MS Edge, Mozilla Firefox(Window 64bit only), Apple Safari(Mac OS X only) |
| Edge Storage | Micro SD/SDHC/SDXC 2slot 512GB |
| Memory | 1024MB RAM, 256MB Flash |

Environmental & Electrical

| | |
|---|---|
| Operating Temperature / Humidity | 24VAC: -50°C~+55°C(-58°F~+131°F) / Less than 90% RH PoE+: -35°C~+55°C(-31°F~+131°F) / Less than 90% RH |
| Storage Temperature / Humidity | -30°C~+60°C(-22°F ~ +140°F) / Less than 90% RH |
| Certification | IP66/IP67, IK10, NEMA4X |
| Input Voltage | PoE+(IEEE802.3at, Class4), 24VAC |
| Power Consumption | 24VAC: Max 65W |

Mechanical

| | |
|------------------------------------|--|
| Color / Material | Silver / Stainless(SUS316L) |
| Product Dimensions / Weight | Ø227x296mm(8.94x11.65"), 5.3Kg(11.69 lb) |



XNP-6320HS

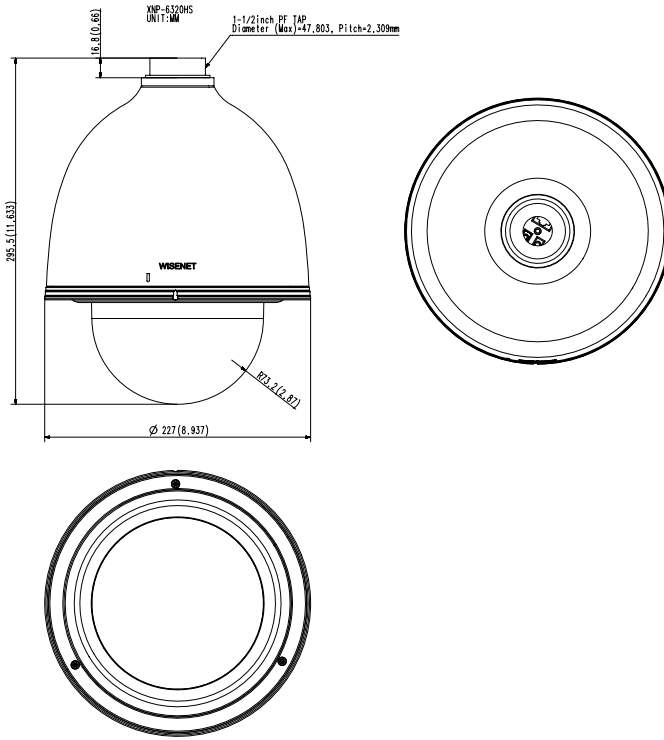
2M H.265 Stainless 32x PTZ Camera

CAD

Unit: mm [inch]

This parts should not contain any substances which are specified in AMS6-0095K

| NO | PART NAME | CODE NO. | MATERIAL | Q'TY | REMARK |
|----|----------------|----------|-------------------|------|--------|
| 1 | FINAL ASSEMBLY | | REFER TO PART DWG | 1 | REMARK |



A2
CHANGE

| STANDARD TOLERANCE | | | | | UNIT | MM | DESIGN | CHECK | APPROVAL | PART NAME | FINAL ASSEMBLY |
|--------------------|------|------|------|------|-------|-----|----------------|-------|----------|------------|----------------|
| 0-10 | 0.05 | 0.1 | 0.15 | 0.2 | | | DK KIM | | HW CHO | MODEL NAME | XNP-6320HS |
| 10-30 | 0.06 | 0.12 | 0.18 | 0.25 | SCALE | 1/2 | 17.11.22 | | 17.11.22 | CODE NO. | |
| 30-100 | 0.1 | 0.2 | 0.3 | 0.4 | | | Hanwha Techwin | | | | |
| 100-1000 | 0.15 | 0.3 | 0.45 | 0.6 | | | | | | | |