



Network

Positioning

TNU-6320

2M H.264 Positioning Camera



Key Features

- Max. 2megapixel (1920 x 1080) resolution
- 4.44 ~ 142.6mm (32x) varifocal lens
- Max. 60fps@2M (H.264), Max. 15fps@2M (MJPEG)
- H.264, MJPEG codec support
- Day & Night (ICR), WDR (120dB), Defog
- Tampering, Virtual line, Enter / Exit, (Dis)Appear
- Face detection, Motion detection
- SD / SDHC / SDXC slot

Compatible Accessories (Optional)



SBU-500WM



SPI-50

TNU-6320

2M H.264 Positioning Camera



Specifications

Video

Imaging Device	1/2.8" 2MP CMOS
Resolution	1920x1080, 1280x1024, 1280x960, 1280x720, 1024x768, 800x600, 800x450, 720x576, 640x480, 640x360, 320x240, 320x180
Max. Framerate	H.264: Max. 60fps/50fps(60Hz/50Hz) MJPEG: Max. 30fps/25fps(60Hz/50Hz)
Min. Illumination	Color: 0.3Lux (F1.6, 1/30sec) B/W: 0.03 Lux (F1.6, 1/30sec)
Video Out	CVBS: 1.0 Vp-p / 75Ω composite, 720x480(N), 720x576(P), for installation

Lens

Focal Length (Zoom Ratio)	4.44~142.6mm(32x) zoom
Max. Aperture Ratio	F1.6(Wide)~F4.4(Tele)
Angular Field of View	H: 62.8°(Wide)~2.23°(Tele) / V: 36.8°(Wide)~1.26°(Tele)
Min. Object Distance	1.5m(4.92ft)
Focus Control	Auto / Manual / One Pus
Lens Type	DC auto iris, P iris

Pan / Tilt / Rotate

Pan Range	360° Endless
Pan Speed	0.036°~120°/sec
Tilt Range	-90°~40°
Tilt Speed	0.012°~ 40°/sec
Sequence	Preset(255ea), Swing, Group(6ea), Trace, Tour(1ea), Auto Run, Schedule
Preset Accuracy	±0.3°

Operational

Camera Title	Displayed up to 45 characters
Day & Night	Auto(ICR)
Backlight Compensation	BLC, SSSDR
Wide Dynamic Range	120dB
Digital Noise Reduction	SSNRIII (2D+3D Noise Filter)
Digital Image Stabilization	Support
Defog	Support
Motion Detection	8ea, rectangular zones
Gain Control	Low / Middle / High
White Balance	ATW / AWC / Manual / Indoor / Outdoor / Mercury
LDC	Support
Electronic Shutter Speed	Minimum / Maximum / Anti flicker (2~1/12,000sec)
Analytics	Motion detection, Face detection, Appear/Disappear, Enter/Exit, Tampering, Virtual line
Alarm I/O	Input 1ea / Output 1ea
Alarm Triggers	Analytics, Network disconnect, Alarm input

Alarm Events	File upload via FTP, E-Mail Notification via E-Mail, TCP and HTTP NAS recording at Alarm Triggers External output Preset
Audio In	Selectable(Mic in/Line in), Supply voltage: 2.5VDC(4mA), Input impedance: 2K Ohm
Audio Out	Line out, Max.output level: 1Vrms
IR Illuminator (Optional)	Support

Network

Ethernet	RJ-45(10/100BASE-T)
Video Compression	H.264: Main/Baseline/High, MJPEG
Audio Compression	G.711 u-law /G.726 Selectable G.726(ADPCM) 8KHz, G.711 8KHz G.726: 16Kbps, 24Kbps, 32Kbps, 40Kbps
Smart Codec	Manual mode(Area-based : 5ea), Face detection mode
Bitrate Control	H.264: CBR or VBR MJPEG: VBR
Streaming	Unicast(10 users) / Multicast
Protocol	IPv4, IPv6, TCP/IP, UDP/IP, RTP(UDP), RTP(TCP), RTCP, RTSP, NTP, HTTP, HTTPS, SSL/TLS, DHCP, FTP, SMTP, ICMP, IGMP, SNMPv1/v2c/v3(MIB-2), ARP, DNS, DDNS, QoS, PIM-SM, UPnP, Bonjour, LLDP, SRTP
Security	HTTPS(SSL) Login Authentication Digest Login Authentication IP Address Filtering User access Log 802.1X Authentication
Application Programming Interface	ONVIF Profile S SUNAPI 2.0 SVNP 1.2 WiseNet Open Platform

General

Web Viewer	Supported OS : Windows 7, 8.1, 10, Mac OS X 10.9, 10.10, 10.11, 10.12 Plug-in Free Webviewer Supported Browser : Google Chrome 54, MS Edge 30, Mozilla Firefox 49(Windows 64bit only), Apple Safari9(Mac OS X only) Plug-in Webviewer Supported Browser : MS Explorer 11, Apple Safari 9(Mac OS X only)
Edge Storage	Micro SD/SDHC/SDXC 1slot

Environmental & Electrical

Operating Temperature / Humidity	-40°C~+55°C (-40°F ~ +131°F) / Less than 90% RH
Storage Temperature / Humidity	-40°C~+60°C (-40°F ~ +140°F) / Less than 90% RH
Certification	IP66, Safety(UL, KC-SDOC), EMC(FCC, CE, VCCI, RCM, KC)
Input Voltage	24VAC
Power Consumption	Max 100W (Heater On), typical 25W (Heater Off)

Mechanical

Color / Material	White / Aluminum
RAL Code	RAL9003
Product Dimensions / Weight	219(W)×528.2(H)×460(D)mm (8.62x20.79x18.11"), 14Kg (30.86 lb)

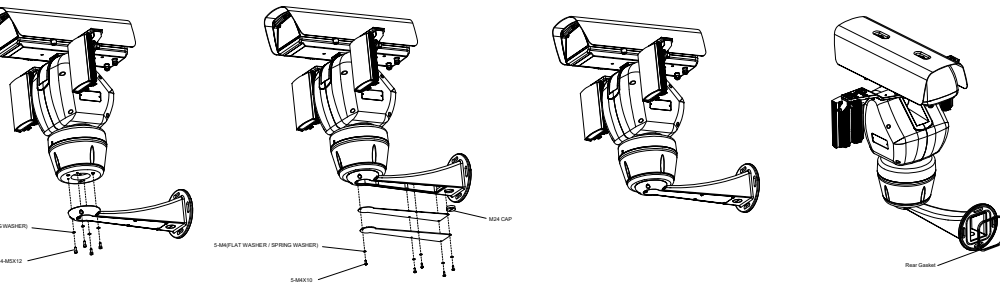
TNU-6320

2M H.264 Positioning Camera



CAD

Unit: mm [inch]



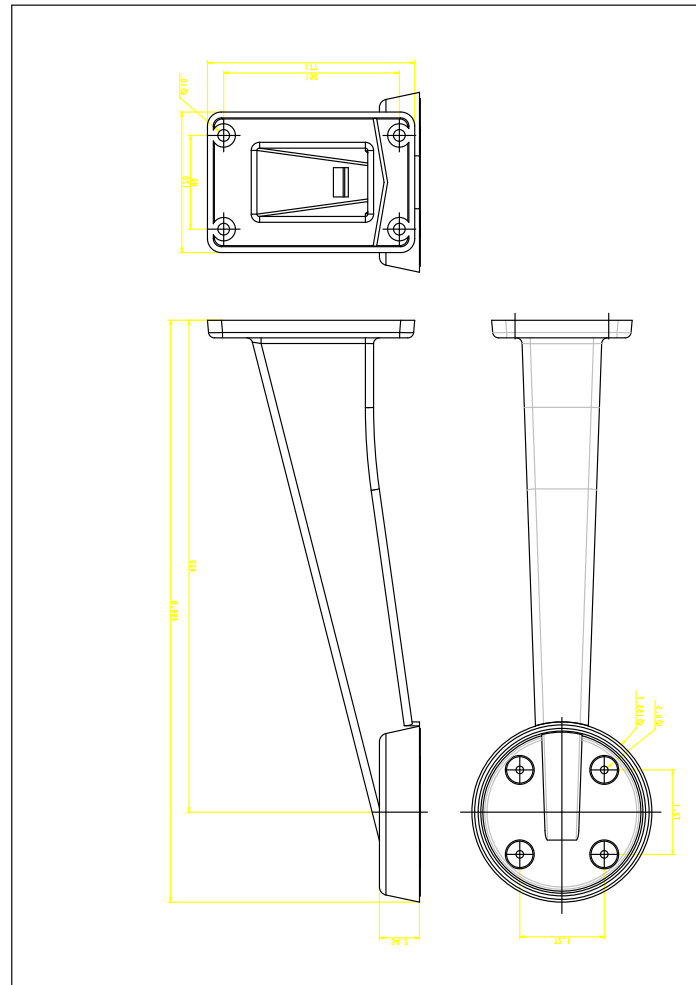
TNU-6320

2M H.264 Positioning Camera



CAD

Unit: mm [inch]



TNU-6320

2M H.264 Positioning Camera



CAD

Unit: mm [inch]

